

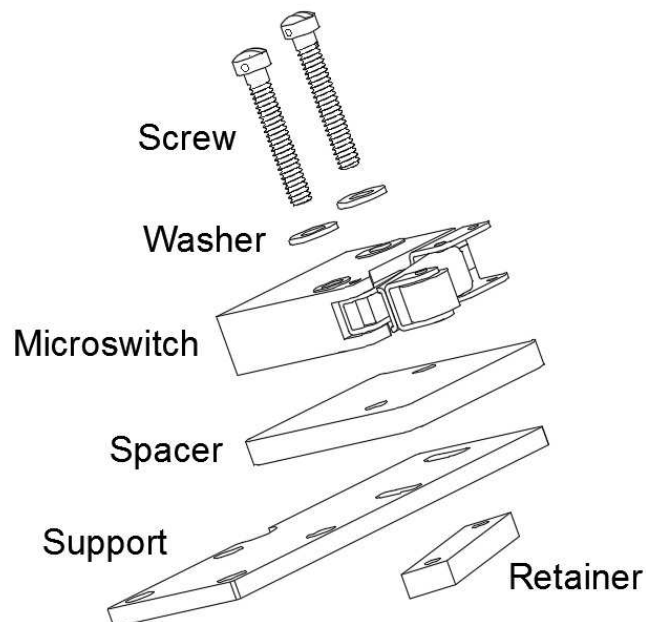
**P-S-3 Beta Switch Assembly
Microswitch Replacement**

1. Introduction

- A. This document provides procedure for replacement of the microswitch in the P-S-3 beta switch assembly. The replacement may be necessary due to defective or damaged microswitch.

2. Replacement Procedure

- A. Remove the safety wire from the screws. Remove the screws.
- B. Replace the microswitch and screw the assembly together.
- C. After installing on engine, adjust the beta switch assembly in accordance with applicable Operation and Installation Manual.
- D. Safety the screws with 0.020 inch (0.51 mm) stainless steel safety wire.



The technical content of this document is approved under authority of DOA No. EASA.21J.072.

Office of Airworthiness Zbyněk Tvrđík Date : October 24, 2016	Prepared Michal Rout Date : October 24, 2016		Page : 1 Pages : 1
---	--	--	-----------------------